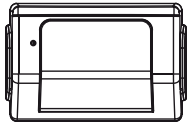


INSTRUCTION MANUAL

Thank you for purchasing this product.
For correct usages and application,
please read this instruction manual thoroughly

CM-49



CAMOS

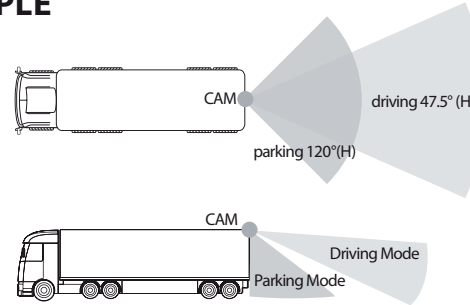
REAR CAMERA FOR VEHICLE



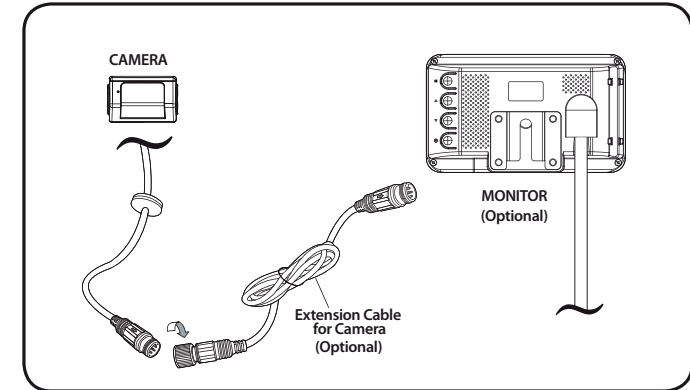
FEATURE

- 2LENS viewing angle [Top 47.5°(H) / Bottom 120°(H)]
- 1/3" 960H color CMOS
- 5 pcs of IR LEDs for night
- Waterproof (IP69K)

EXAMPLE



CONNECTION



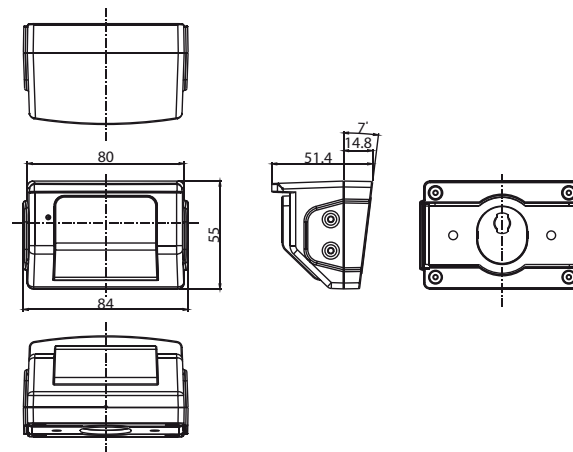
- ⚠ Before making the connection, disconnect the ground terminal of the car battery to avoid short circuiting.
- ⚠ The plug should be fully inserted into the connector, should be check pin arrangement before inserting. A loose connection may be caused malfunction or problem of the unit.
- ⚠ When use extension cable, connect it as follows arrow direction.
- ⚠ After complete the cable connection, test them as below whether it is connected well or not.

SPECIFICATIONS

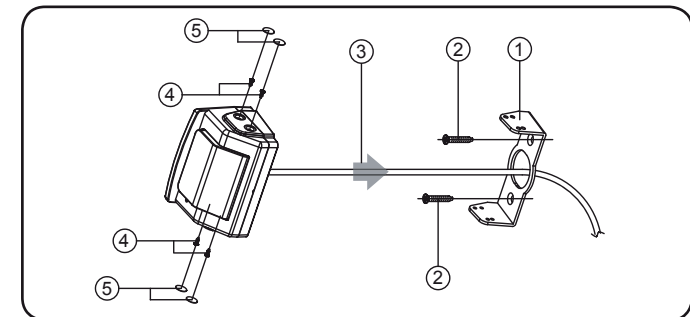
	Top Lens	Bottom Lens
Pick-up Device	1/3" 960H color CMOS / 480K	
View of angle	47.5(H) / 35.5(V) / 59(D)	120(H) / 89(V) / 160(D)
Total Pixels	976(H) x 496(V)	
Min. Illumination	0.5Lux (F=2.8)	0.1Lux (F=2.2)
Resolution	800TV Lines	
Input Voltage	DC12V / 150mA	
Operating Temp.	-	
Storage Temp.	-30°C ~ 80°C	
Dimension	84(W) x 55(H) x 51.4(D) mm	
Weight	478g (with bracket)	
Box Contents	Camera 1EA Accessories Pack (Screws set) 1SET Instruction Manual 1EA	

* Design and specifications are subject to change without notice.

DIMENSIONS



INSTALLATION



1. Please install after determine the best position and direction.
2. Please attach camera bracket by using screws.
3. Please fix camera at bracket.
4. Please attach left and right screws and screw cover.